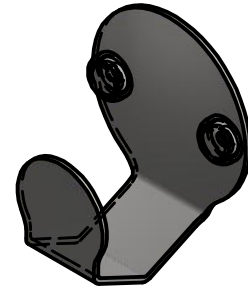
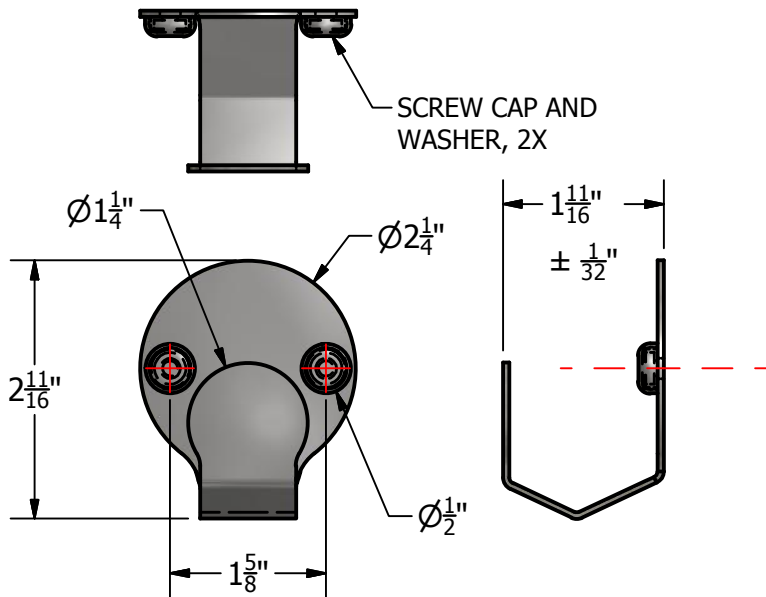




Technical Data Sheet

S-3031-XX
ROBE SINGLE HOOK



FINISH CODE -XX
 - SS = SATIN STAINLESS STEEL
 - PC = POWDER COATED (SPECIFY COLOR)

DATA CURRENT AS OF: 1/18/2013

CONSTRUCTION:

HOOK: 16 GAUGE TYPE 304 STAINLESS STEEL, FORMED ONE PIECE.
 SCREW: #8 WOOD X 1 1/2" LONG PHIL. PAN HEAD. 18-8 STAINLESS STEEL.
 SCREW CAP: ELECTROPLATED SATIN CHROME SNAP-CAP.
 WASHER: FLAT BOTTOM PLASTIC SNAP-CAP.

INSTALLATION:

FASTEN TO WALL USING THE SUPPLIED SCREWS THROUGH THE SNAP-WASHER AND APPROPRIATE WALL ANCHORS (NOT SUPPLIED).
 PRESS ON THE SNAP-CAPS ONTO THE WASHER/SCREW UNTIL THEY SNAP INTO PLACE.

NOTE: HOOK IS ONLY AS STRONG AS THE ANCHORING DEVICES AND THE WALL ON WHICH IT IS MOUNTED TO.

GUIDE SPECIFICATION:

FORMED ONE PIECE ROBE SINGLE HOOK.
 16 GAUGE TYPE 304 STAINLESS STEEL.
 FINISHES AS INDICATED.
 HOLDS UP TO 10 LBS.

Brey-Krause Mfg. reserves the right to make changes in design and/or material without formal notice and without incurring any obligation.

**BREY-KRAUSE
 MANUFACTURING**
 © 2012

BREY-KRAUSE MANUFACTURING
 1209 W. Lehigh Street, Bethlehem, PA 18018
 Phone: 610-867-1401 Fax: 610-866-1433
 www.brey-krause.com